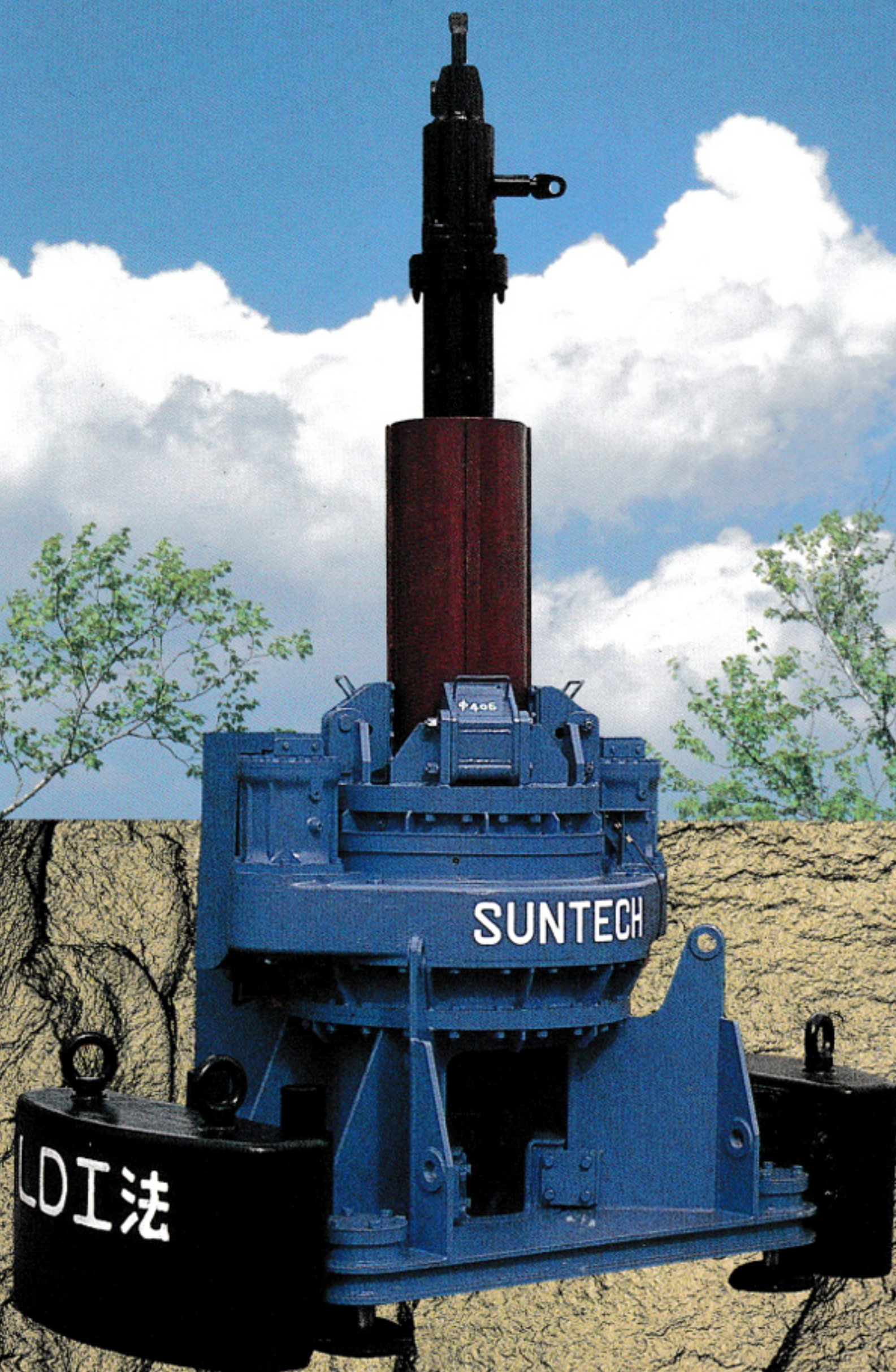


特許出願中

# ロードソール



コンパクト・低重心・フレキシブル掘削機!!

ダウンザホールハンマー掘削可能 /  
トロウウェルスクリーパー掘削可能 /

 株式会社サンテック

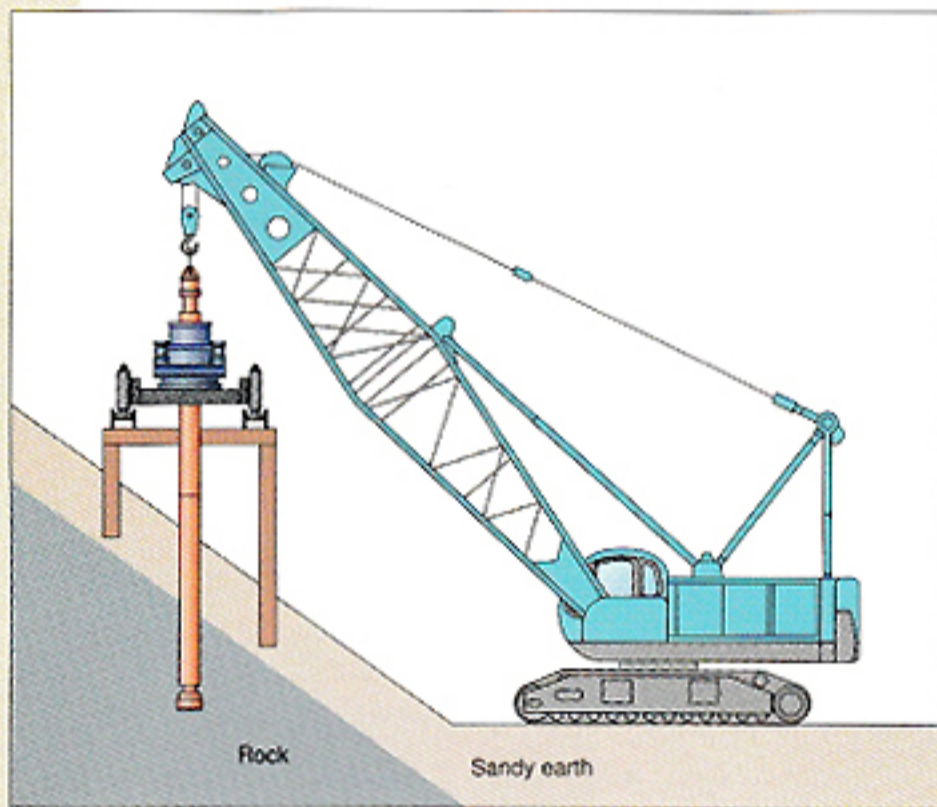
# Examples of major use

LOWER DRILL METHOD

## 1

### Execution at steep slope

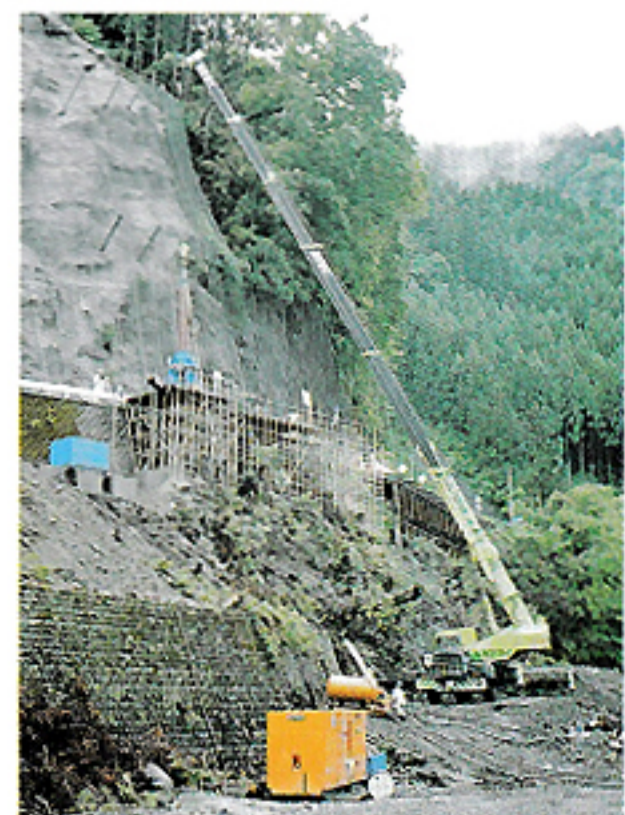
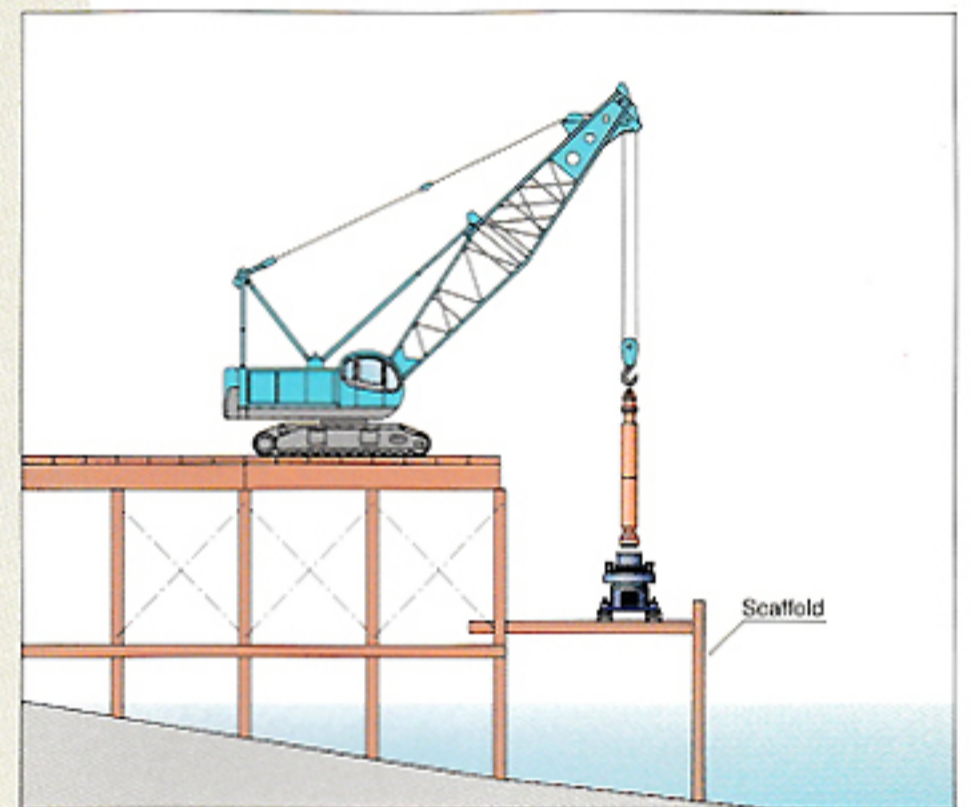
Because of its compact size and light weight, the value of Lower Drill will be exerted in such steep site as substructure of highway or side road for dam. Even at severe slope, safe and short term execution is possible within the radius of crane action.



## 2

### Execution of scaffold board

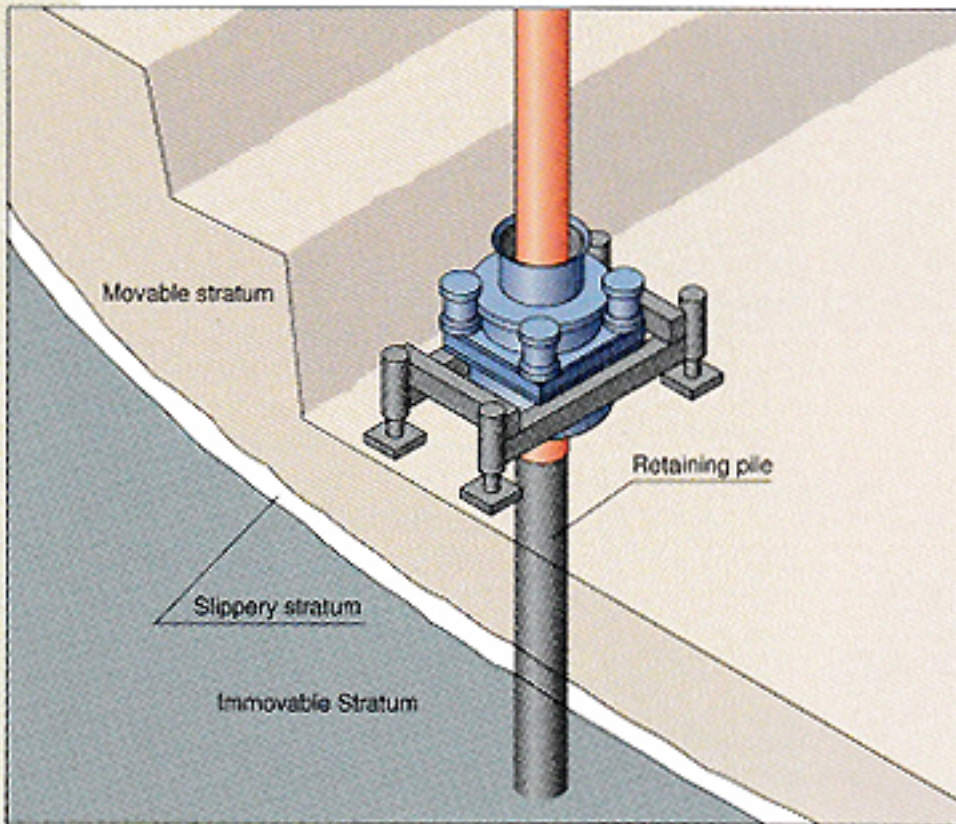
With temporary scaffold or bridge which stretches along mountain or river, only one crane can cover the whole work from excavation to execution. Smooth and efficient execution will be realized by stretching-arm-in-the-air method.



# 3

## Execution of retaining pile and soldier beam as the countermeasure for ground falling

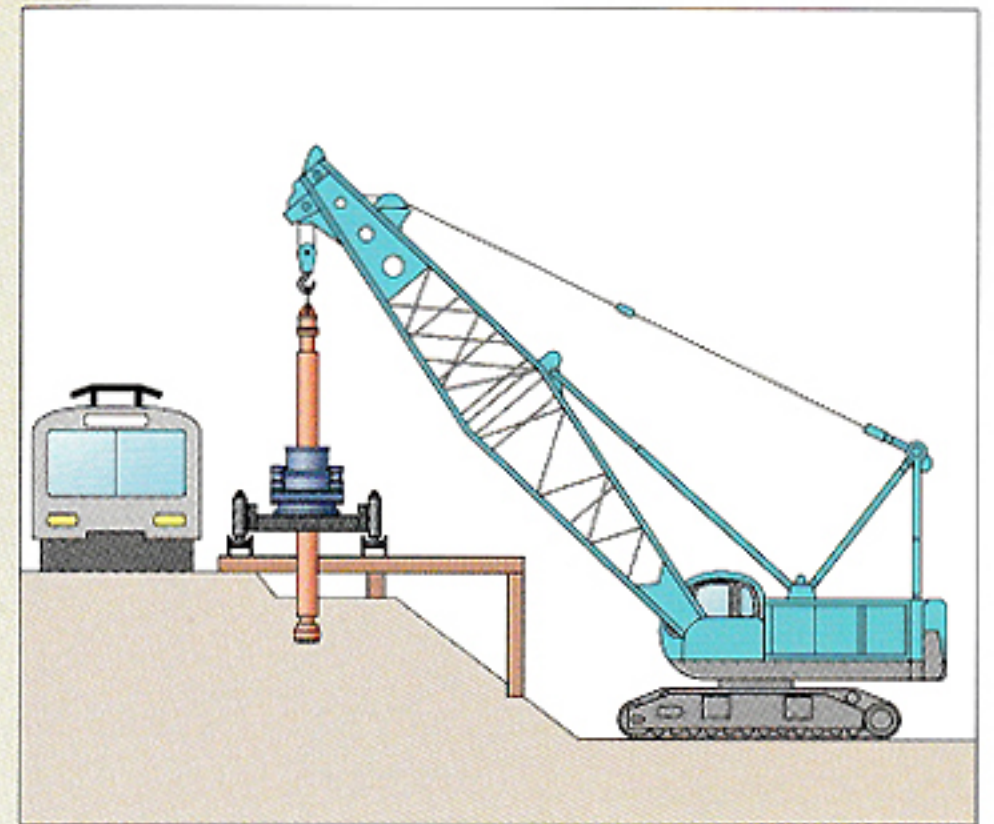
Because it is possible to adopt the most suitable excavation method depending on each subgrade condition, screw, trowel or down-the-hole hammer, it can cope with changes of digging subgrade flexibly, thus assuring speedy execution possible.



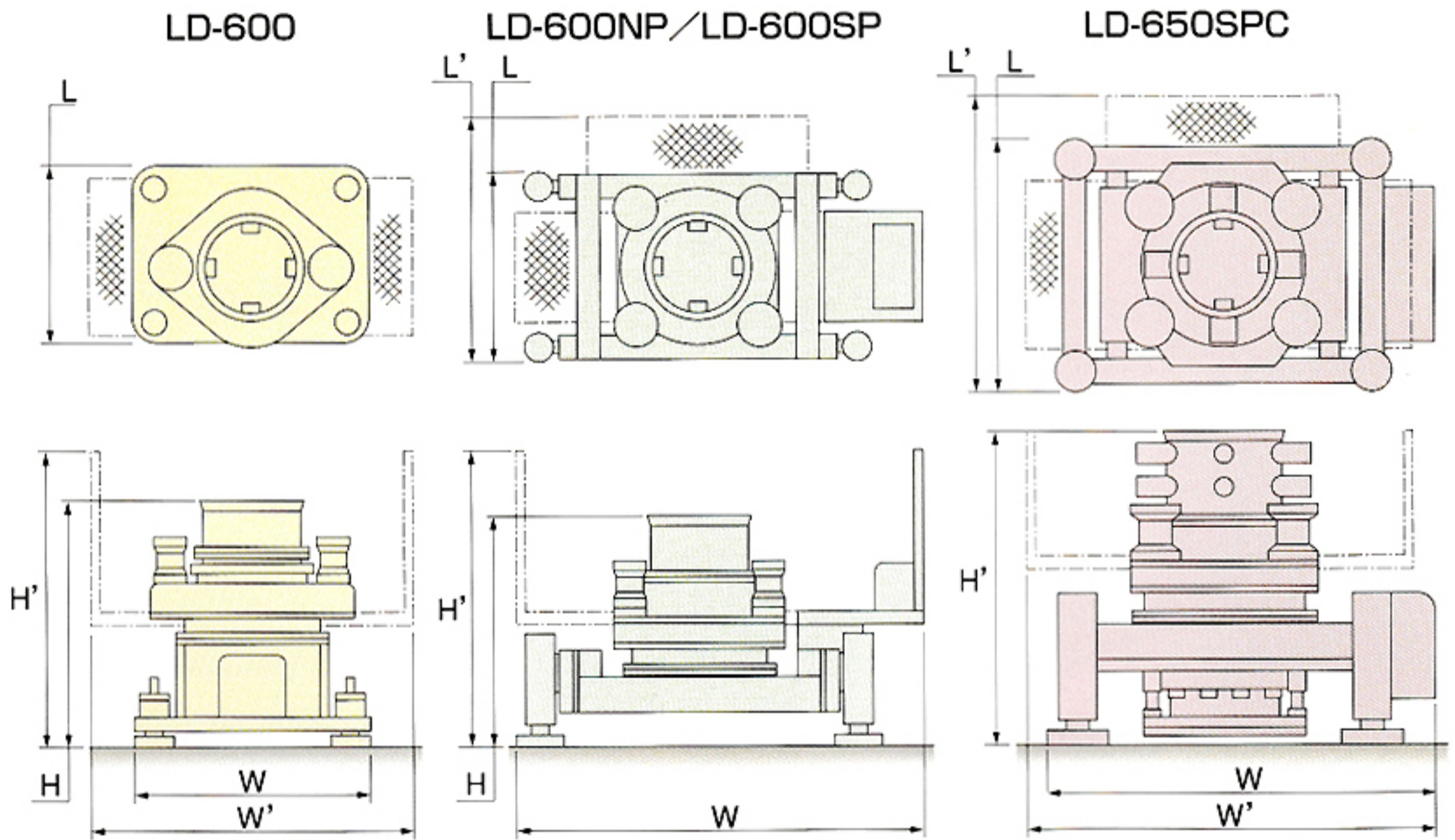
# 4

## Execution at narrow site or railway neighbourhood site

In such sites as under wiring or crossbeam, in the neighborhood of railway or in a plant where a big size machine can't be carried in because of safety and installing space limitation, Lower Drill with light weight, compact size and low gravity will exert its versatile ability.



## Measurements



### Specifications of Lower Drill

Machine	LD-600	LD-600NP/LD-600SP	LD-650SPC
Maximum excavation diameter	φ 610	φ 610	φ 610
Rotation	20~0 rpm	16~0 rpm / 11~0 rpm	High 14~0 rpm / Low 7~0 rpm
Stall torque	3.6 Ton-m	5.1 Ton-m / 7.2 Ton-m	High 7.5 Ton-m / Low 15.4 Ton-m
Body weight	3900kg <sup>※1</sup> / 4300kg <sup>※2</sup>	4950kg / 5350kg	11500kg
Unit weight	2850kg	2900kg	3380kg
Body measurements (HXLXW)	Body	1925×1300×1800	2450×2200×3100
	With a work platform	1925×1300×2700	2450×2600×3400
Unit measurements (HXWXL)	1400×1600×2150	1400×1750×2250	1500×1900×2350

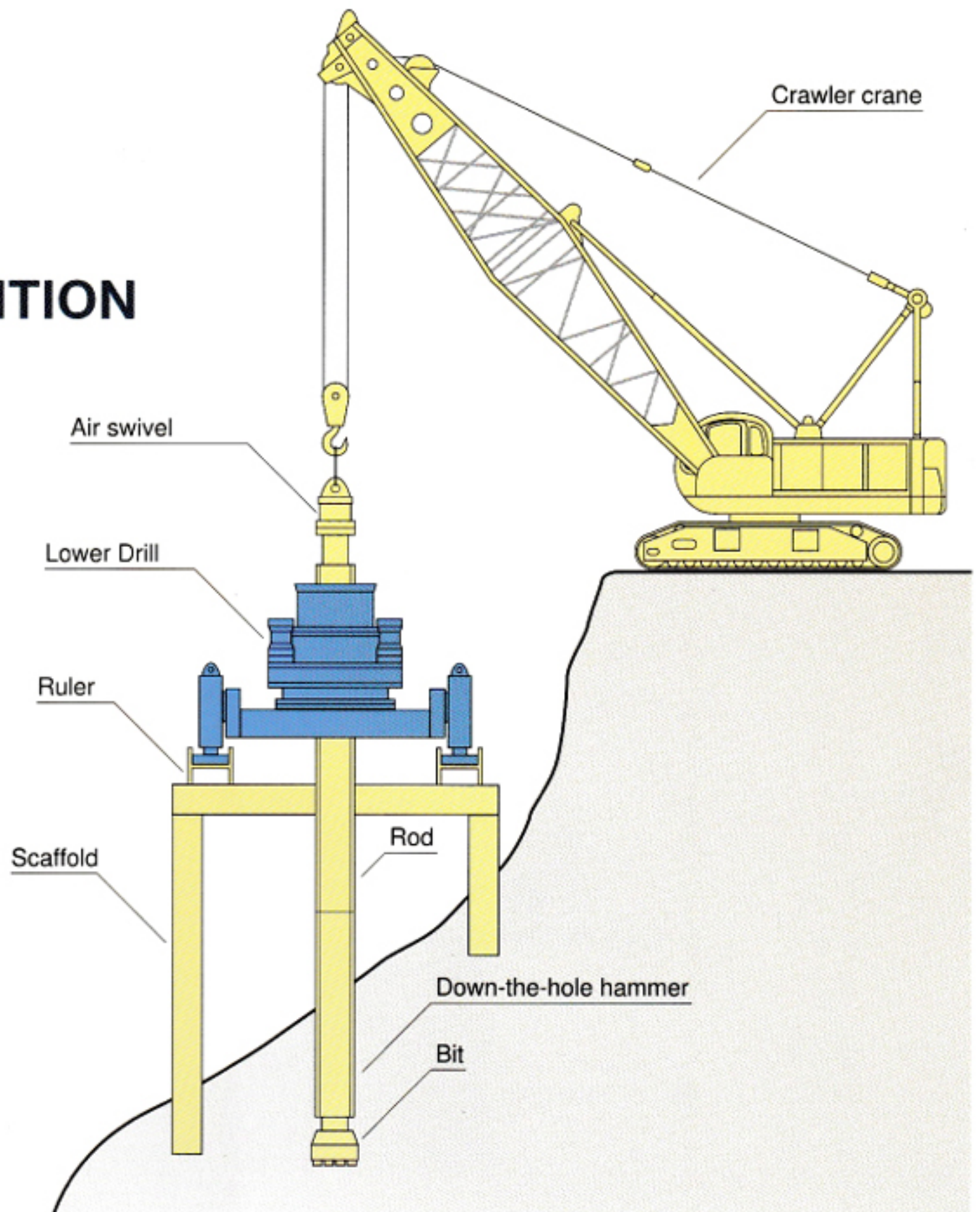
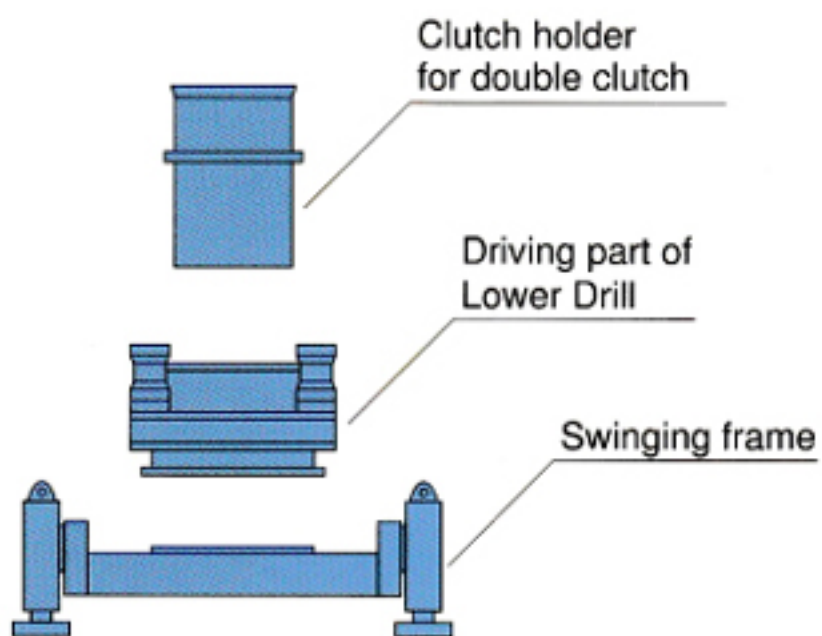
※1 is for single clutch ※2 is for double clutch

## SYSTEMATIC COMPOSITION

Due to its easy-to-assemble split-off build, Lower Drill is able to be carried in any construction site even with various restricted conditions.

It also suits to a wide range of construction site because it can be installed in various method depending on each conditions.

The apparatus to be compiled in the construction site as the lower drill method is superior in economy and the high quality work is assured by matching suitable hardware.



## Lower Drill hardware layout (Sample layout on a temporary bridge)

